

# K2

## MAST ATTACHMENT

**FAST.  
EFFICIENT.  
POWERFUL.**

Hammer Drilling Rigs  
Unit 204, 6640-i Old Monroe Rd  
Indian Trail 28079  
North Carolina, USA

Tel: 1.800.371.5316  
Fax: 1.888.364.5891

www.hammerdrillingrigs.com



## K2 EXCAVATOR ATTACHMENT.

The K2 Drilling Mast Attachment uses 5 ft (2 m) long drill rods with the high torque JT-200 Series of rotation heads for geothermal, geotechnical and foundation drilling applications.

The JT-200 Series of rotation heads feature a 2-3/8" (60 mm) center bore for mud or air flushing or grout injection with the included 90 degree, max 2,500 PSI (172 bar) top swivel. The rotation head drive flange can be coupled with an adaptor to fit the customers drill rods or casings for various applications and drill methods.

All excavator attachments include 'T' legs for safe horizontal transport and storage of the mast. A simple 2-hose connection allows for easy attachment to the carrier machine (some carrier machines require additional hydraulics to operate the mast). The rear mount plate is built to suit the specified carrier machine/s.

The K2 can be fitted with additional features and tooling to suit a variety of applications and drill methods currently available.

Please contact us for more information or a quotation.

\*JT-300 Series Rotation Heads are also available in this configuration.

### ROTARY HEADS : (JT-200 SERIES)

Max Torque	9,580 ft-lbs (13,000 Nm)
Max Speed	175 rpm
Through Bore	2-3/8" (60 mm)
Speeds	2-Speed Variable

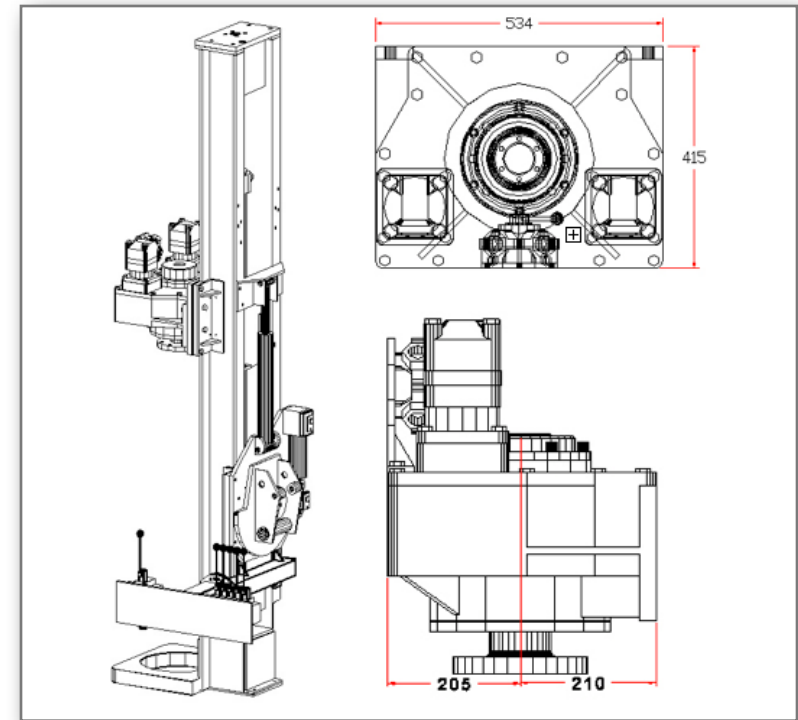
### POWER & HYDRAULICS REQUIREMENTS:

System Pressure	3,000 psi (206 bar)
Max Flow	20-24 gpm (75-90 lpm)*

### SPECIFICATIONS OVERVIEW:

Height	11' 10" (3,383 mm)
Mast Stroke	7' 10" (2.4 m)
Max Pullback	19,800 lbs (8,981 kg)
Weight (mast only)	2,750 lbs (1,250 kg)*
Clamp System	Clam Clamps & Breakout Wrench. 9" OD.
Side to Side Movement	Optional

\* Dependant on options / Additional upgrades may be required.



### K2 : STANDARD FEATURES

- Clam Clamps & Breakout Wrench. 9" OD (229 mm) bore.
- Transport/Storage T-Legs.
- Standard 2-Hose Quick-Disconnect Connection
- Hydraulic Main Cylinders provide maximum Pullback.
- Carrier Machine Mounting Plate / Bracket.\*

### AVAILABLE OPTIONS :

- Double Breakout Clamps.
- Safety Clamp System. Hands-free breakout.
- Auxiliary Winch. 42' rope / 1,470 lbs pull.
- Winch Extension Package. 2,000 lbs (907 kg) pull.
- Remote Controls. Tracks Only or Tracks, Rotation & Feed.\*
- Dust Suppression System for DTH Hammer Drilling.
- Trip Wire Safety System. (European Spec).
- Mast Mounted Flood Lights.
- Mono Mud Pump. 150-180 gpm / 300-800 psi.\*